

# Basler A200 Series



**Digital CCD Area Scan  
Monochrome  
Camera Link® Output  
Up to 48 ps at  
one Megapixel**

## Description

The A200 Series of high-performance, digital cameras is ideal for a variety of industrial applications. The cameras can be triggered via an external sync signal or run in an internally controlled „free-run“ mode. A200 cameras operate with a single voltage power supply and have the advantages of the remarkably simple cabling requirements outlined in the Camera Link standard. A combination of features such as digital shift, test images, and indicator LEDs, ensure that these versatile cameras provide an exceptional price/performance ratio. To have a better adaption to the appropriate application, the A202k is available with two gain setting variants.

The A200 series cameras are ideal for applications like: Semiconductor and component inspection, manufacturing quality control, traffic control, food and beverage inspection, microscopy and medical imaging and many other vision applications.

## Basler Camera Test Tool



To ensure consistently high product quality, we employ several quality inspection procedures during manufacturing. Basler customers get a 100% tested camera, all of the benefits that go along with 100% testing, and a much higher level of satisfaction. This is a definite win-win situation.

### Your benefits include:

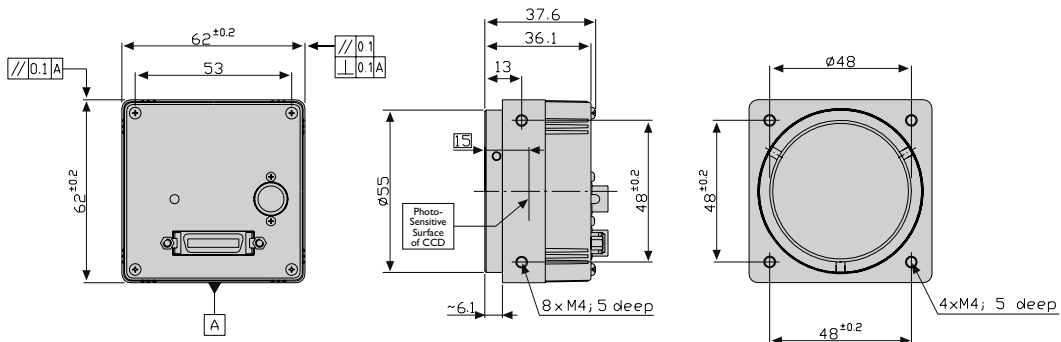
- Superior image quality improves your image processing results
- Super compact size reduces the space needed in your installation
- 100% factory testing ensures consistent product quality
- LED indicators and test image generation capability reduce your integration time and aid troubleshooting
- Area of Interest (AOI) scanning allows higher frame rates
- Windows® setup tool lets you configure your camera with ease
- Electronic exposure time control provides maximum flexibility

# Specifications

Basler A200 Series	A201b/bc	A202k	A202k high gain
<b>Camera</b>			
Resolution	1008 x 1018	1004 x 1004	1004 x 1004
Sensor Type	Progressive Scan CCD		
Pixel Size (µm)	9.0 x 9.0	7.4 x 7.4	7.4 x 7.4
Camera Link Clock	42 MHz with single output 21 MHz with dual output	40 MHz	36 MHz
Gain	0-40 dB	0-12 dB	0-28 dB
Frame Rate at Full Resolution	30 fps	48 fps	43.2 fps
Mono/Color	Color or Mono	Mono	Mono
Video Output Type	Channel Link	Camera Link (Base)	Camera Link (Base)
Video Output Format	Single or Dual Pixel 8 or 10 bits	Dual Pixel 8 or 10 bits	Dual Pixel 8 or 10 bits
Synchronization	Via external trigger or free run		
Exposure Control	Level-controlled or programmable		
<b>Mechanical / Electrical</b>			
Housing Size (L x W x H)	37.6 mm x 62 mm x 62 mm		
Weight	Max. 265 g	Max. 290 g	Max. 290 g
Power Requirements	12 VDC (±10%), max. 8.0 W	12 VDC (±10%), max. 5.5 W	12 VDC (±10%), max. 5.5 W
Mount-Type	C-mount or F-mount		
Conformity	CE, FCC		

Specifications are subject to change without prior notice

# Dimensions (in mm)



**Germany, Headquarters**  
Fon +49 4102 463 500  
Fax +49 4102 463 599  
vc.sales.europe@baslerweb.com

**USA**  
Fon +1 610 280 0171  
Fax +1 610 280 7608  
vc.sales.usa@baslerweb.com

**Singapore**  
Fon +65 6425 0472  
Fax +65 6425 0473  
vc.sales.asia@baslerweb.com